



**MetWall**

Steel Retaining Systems



# Formflow

The last edging system  
you will use.

Find out more:  
[metwall.com.au](https://metwall.com.au)

# FormFlow Edging Easy Installation

Metwall's FormFlow ranges come complete with everything you need for quick installation. This includes the Metwall Easy Joiner, brackets and bracing, and hardware required for assembly.

## Joiner Installation



Place your joiner so it is orientated correctly.



Slide the join half way under the rolled top and bottom of the edge piece.



Slide the remaining half of the joiner under the rolled top and bottom of the second edge piece.



Using a 6mm allen key, twist the screw anti-clockwise to tighten the joiner.

## Bracket Installation



Brackets are included with the FormFlow Edging kit.



Place the bracket against the back of the edge piece and rotate.



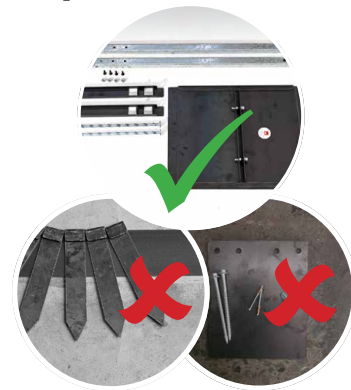
Click the bracket under the rolled top and bottom of the edge piece.



Push the nail through the bracket holes and secure to the ground.

Feature	Metwall	Other Brands
Slide-in easy joiner system	✓	✗
Safe top and bottom rolled edges	✓	✗
Bracket and bracing system	✓	✗
Non-corrosive screws and hardware	✓	✗
No screws, rivets, holes or drilling required	✓	✗
Stable, secure thick twisted nails	✓	✗
All-inclusive, ready for a complete install	✓	✗
Heavy-duty Australian made	✓	✗

✓ **All-Inclusive, easy seamless system**



Find out more:  
[metwall.com.au](http://metwall.com.au)

2/28 Greg Chappell Dr,  
Burleigh Heads QLD 4220

Call: 0448 322 676  
ABN: 40 623 488 184



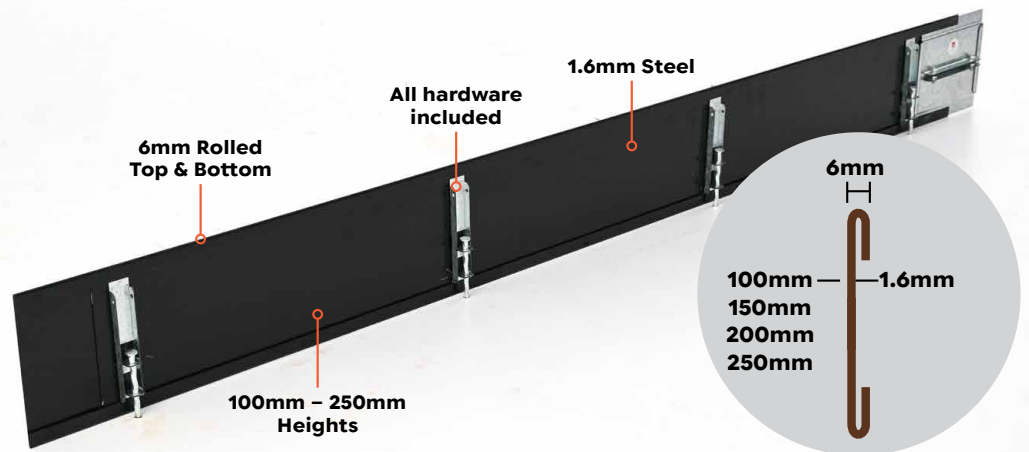
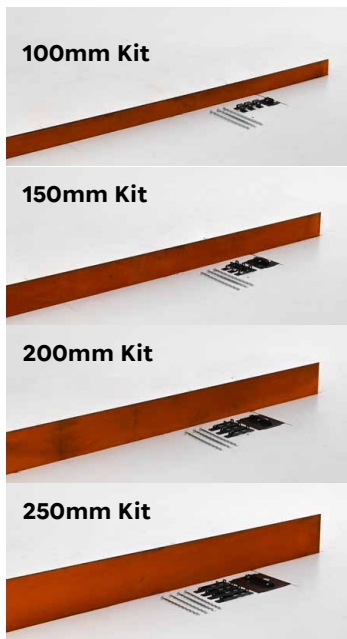
# 2.4 Formflow Edge Straight lengths



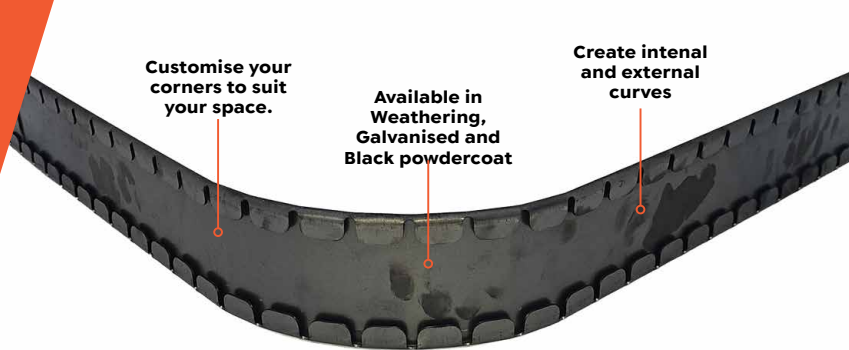
Heavy-duty, Australian-made steel edging.  
Ready for installation, built to last a lifetime.

**Available in Weathering, Galvanised and Black powdercoat**

2.4 length	Package Inclusions (each corner piece comes with the below)
100mm 150mm 200mm 250mm	<ul style="list-style-type: none"> <li>• 1 x 2400 x 1.6mm Formflow Edge</li> <li>• 3 x 300mm x 10mm twisted nails</li> <li>• 3 x Twisted Nail Braces</li> <li>• 1 x Easy Join Edging Joiner</li> </ul>
350mm 450mm 550mm	<ul style="list-style-type: none"> <li>• 1 x 2400 x 2mm Formflow Edge</li> <li>• 8 x 300mm x 10mm twisted nails</li> <li>• 4 x Twisted Nail Braces</li> <li>• 1 x Easy Join Edging Joiner</li> <li>• 4 x Support Braces</li> </ul>

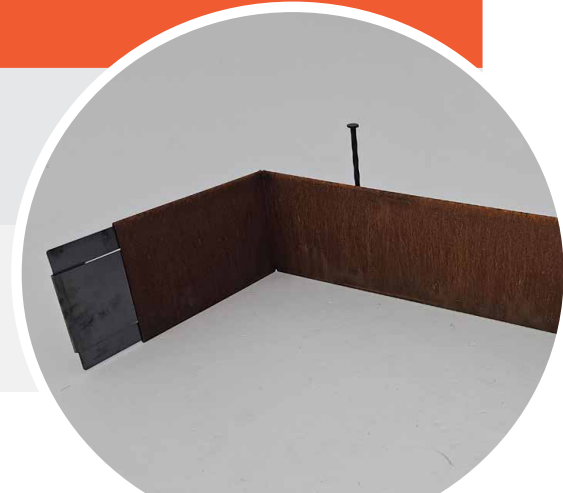


# Prefabricated corners



## Internal square 900 x 300

Square Corner – Internal	Package Inclusions (each corner piece comes with the below)
100mm	<ul style="list-style-type: none"> <li>• 1 x 900 x 300mm x 2mm Formflow Corner</li> <li>• 2 x 300mm x 10mm twisted nails</li> <li>• 2 x Twisted Nail Braces</li> </ul>
150mm	
200mm	
250mm	
350mm	<ul style="list-style-type: none"> <li>• 1 x 900 x 300mm x 2mm Formflow Corner</li> <li>• 4 x 300mm x 10mm twisted nails</li> <li>• 2 x Twisted Nail Braces</li> <li>• 2 x Support Braces</li> </ul>
450mm	
550mm	



## External square 900 x 300

Square Corner – External	Package Inclusions (each corner piece comes with the below)
100mm	<ul style="list-style-type: none"> <li>• 1 x 900 x 300mm x 2mm Formflow Corner</li> <li>• 2 x 300mm x 10mm twisted nails</li> <li>• 2 x Twisted Nail Braces</li> </ul>
150mm	
200mm	
250mm	
350mm	<ul style="list-style-type: none"> <li>• 1 x 900 x 300mm x 2mm Formflow Corner</li> <li>• 4 x 300mm x 10mm twisted nails</li> <li>• 2 x Twisted Nail Braces</li> <li>• 2 x Support Braces</li> </ul>
450mm	
550mm	



## Roll your own round – 1200mm Half Length

Round Corner – Roll your own	Package Inclusions (each corner piece comes with the below)
100mm	<ul style="list-style-type: none"> <li>• 1 x 1200mm x 2mm Formflow Corner</li> <li>• 2 x 300mm x 10mm twisted nails</li> <li>• 2 x Twisted Nail Braces</li> </ul>
150mm	
200mm	
250mm	
350mm	<ul style="list-style-type: none"> <li>• 1 x 1200mm x 2mm Formflow Corner</li> <li>• 4 x 300mm x 10mm twisted nails</li> <li>• 2 x Twisted Nail Braces</li> <li>• 2 x Support Braces</li> </ul>
450mm	
550mm	



Joiner sold separately if required.

